



# 广州市番禺奥迪威电子有限公司

**Audiowell Electronics (Guangzhou) Co., Ltd.**

地址: 中国广东省广州市番禺区迎宾路东升工业区 邮政编码: 511400  
Add: Dongsheng Industrial Park, Yingbin Road, Panyu, Guangzhou 511400, China  
Tel: +86-20-84802041 84802405 84871596 34516785 Fax: 84665207



## 超 声 波 雾 化 片



产品专利号: ZL200420043994.7; ZL201020620593.9; ZL201120283778.X  
Patent Number: ZL200420043994.7; ZL201020620593.9; ZL201120283778.X

### Ultrasonic Piezoelectric Atomizing Transducer

本公司的超声波雾化片技术, 与传统的以镍或钛为电极的雾化片相比, 我们的特殊保护电极在耐酸、耐碱、耐空化腐蚀方面性能优越, 具有电极强度高, 不易结垢, 实际使用寿命长的特点。

we are producing ultrasonic piezoelectric atomizing transducers of compact and higher performances. Our specially electrode protection layer of the transducer is far superior to Nickel or Titanium electrode used in traditional transducers, it has more advantages in withstanding acid, alkaline and cavitation corrosion, so it features higher strength, less water scale, and longer lifetime

- 1、品名(Name): **HL0014-020**
- 2、产品型号(Model): **AW16Y20083M2L167J15Z-01**
- 3、命名规则(Part Numbering)

EX. **AW** **16** **Y** **20** **083** **M** **2** **L167** **J15** **Z** **-01**  
 ① ② ③ ④ ⑤ ⑥ ⑦ ⑧ ⑨ ⑩ ⑪

- ① 奥迪威公司代码 Audiowell
- ② 压电陶瓷材料号 Ceramic material code
- ③ 电极材质代码 Y,N,J……=Electrode material code
- ④ 产品直径 (mm) Diameter of element
- ⑤ 产品厚度 (10-2 mm) Thickness of element
- ⑥ 电极形状代码 A,B,C,D……=Electrode shape
- ⑦ 保护层代码 1,2,3……=Coating material code
- ⑧ 线材代码 L1,L2,L3……=Different length color or types of wires
- ⑨ 配件代码 (如 J3 代表橡胶圈) Different fitting , EX.J3= plastic ring
- ⑩ 环保代码 ROHS code
- ⑪ 流水号代码 Serial number code

#### 4、性能参数(Electrical specification):

项目 Item	单位 Unit	标 准 Standard	测试条件(Test condition): T=25℃
谐振频率(Ft) Thick resonant frequency	MHz	2.45±0.1	Agilent 4294A
谐振阻抗(R) Resonant impedance	Ω	≤2.0	Agilent 4294A
静电容量(C <sub>0</sub> ) Static capacitance	pF	1600±20%	数字电桥 At 1000Hz/1V Digital electric bridge At 1000Hz/1V
机电耦合系数(Kt) Electrical-mechanical coupling coefficient		≥0.45	Agilent 4294A (fs3/fs1 查表值)
寿命 Life time	hour	3000	



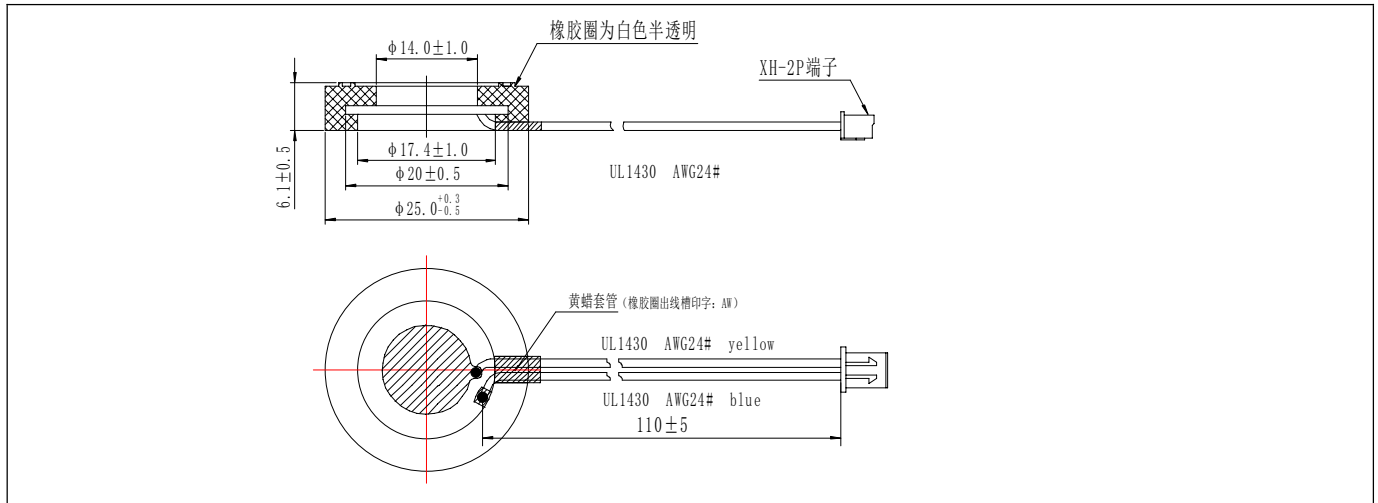
# 广州市番禺奥迪威电子有限公司

**Audiowell Electronics (Guangzhou) Co., Ltd.**

地址: 中国广东省广州市番禺区迎宾路东升工业区 邮政编码: 511400  
 Add: Dongsheng Industrial Park, Yingbin Road, Panyu, Guangzhou 511400, China  
 Tel: +86-20-84802041 84802405 84871596 34516785 Fax: 84665207



## 5、外观尺寸(Appearance and dimensions): 计量单位(Unit): mm



注: UL1430 导线、胶圈、焊锡丝、黄腊管符合环保要求, 压电陶瓷体豁免含铅量。

The lead wire, soldering tin, yellow waxcasing and rubber ring all comply with the requirements of environmental protection, while Piezo ceramic exempt from lead restriction.

## 6、包装 (Package):

片/箱 PCS/CTN	包装盒 002 (cm) Carton 002 (cm)	包装箱 030 (外尺寸) (cm) Carton 030(Outside Size) (cm)	毛重(Kg) Gross weight(Kg)	净重(Kg) Net Weight(Kg)
1320	22.5*12.5*3.8	47.8*28.0*22Y	8.4	6.9

## 7、使用注意事项: (Note)

- 雾化片要固紧, 平整;
- 雾化片要定期清洗, 不可有太多水垢;
- 保证设计线路时不要使水溶液中存在电位差而使雾化片电极产生电解;
- 工作时雾化片两端电压  $V_{p-p}$  小于等于 100V;
- 在任何情况下, 请勿自行焊接雾化片连接导线处, 以免对产品造成损害;
- 雾化片属易碎产品, 强烈的振动或撞击可能会损坏雾化片, 请小心安装;
- 雾化片使用过程中应防止出现干烧, 以避免产品性能出现衰退;
- 雾化片适宜工作温度为 10°C-50°C, 推荐在 25°C 以上工作。

### NOTE:

- The piezo shall be fastness and smooth.
- The piezo shall be cleaned regularly, make sure there's less scale on it.
- Please make sure there is no electric potential difference in the water when designing the circuit, otherwise the coating of the piezo might be electrolyzed.
- $V_{p-p}$  of both ends of the piezo shall less than or equal to 100v.
- In any case, please do not reweld the solder joint of the piezo personally, so as to avoid damage to the product.
- The piezo is fragile, may be damaged by strong vibration or impact. So please install carefully.
- When using the piezo, please make sure to have anti-dry protection, so as to avoid product performance recession.
- The appropriate working temperature for the piezo is 10-50°C, it is recommended to work above 25°C.

制作/日期 Accomplished by / Date		确认/日期 Approved by / Date	
---------------------------------	--	-----------------------------	--